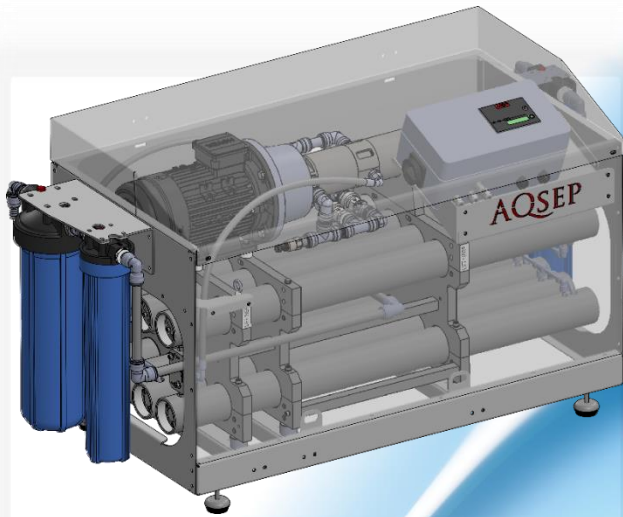


## Data sheet Enclosures

With associated cartridge filters  
For WM22000E



### FEATURES:

- Covers a WM11000E/WM22000E with control box
- Easy access for membrane replacement
- Water in- and outlet on rear side
- Pre-mounted filters housings with easy access for WM22000E

### PARTS AND MATERIALS:

- Cover in white power coated aluminium (RAL 9001)
- Filters for WM22000E
  - 20" Big blue and 20" blue filter housing for feed water (Suits 5 µm nominal and 10 µm absolute filter elements)
  - 20" Big blue filter housing for flush water (Suits 10 µm absolute filter element)

Dimensions	WM11000E	WM22000E
Size (LxWxH)   mm (inch)	1547x650x630 (61x26x25)	1547x650x808 (61x26x32)
Weight – housing   kg (lb)	29 (64)	43 (94)
Weight – operational   kg (lb)	116 (256)	182 (401)

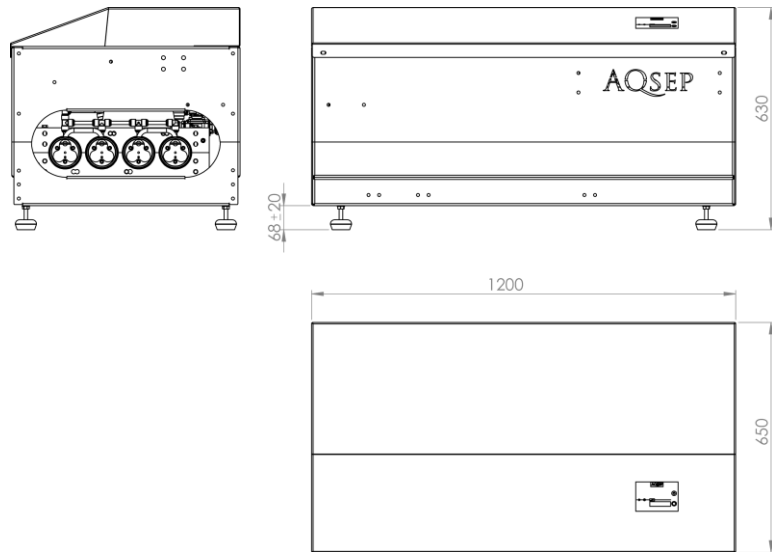
Operating limits	
Ambient temperature   °C (°F)	0.5 – 50 (32.9 – 122)

Components	WM11000E	WM22000E
Enclosure	Painted Aluminum	
Feed water filters (Blue + Big Blue housing)	Polypropylene	N.A.
Flush water filter (Blue housing)	Polypropylene	N.A.
Piping	Polyamide & POM	

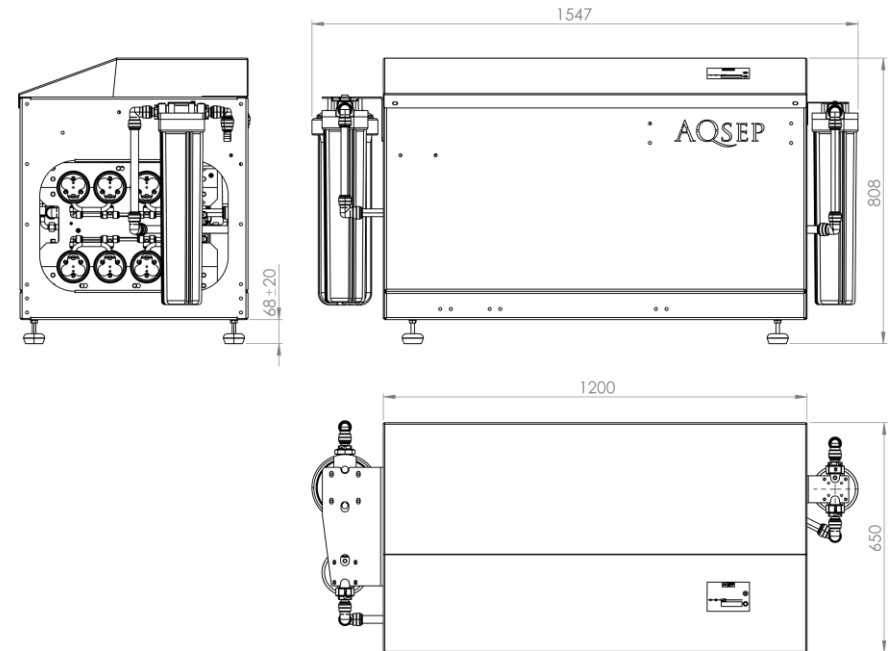
Part Number	
Enclosure for WM11000E	182B9744
Enclosure for WM22000E	182B9743

## Data sheet Enclosure

### WM11000E



### WM22000E



**AqSep A/S**

c/o Danfoss • Nordborgvej 81, E14-N14 • 6430 Nordborg • Denmark  
 Phone: +45 7488 4100 • E-mail: anders@aqsep.com • www.aqsep.com

AqSep can accept no responsibility for possible errors in catalogues, brochures and other printed material. AqSep reserves the right to alter its products without notice. This also applies to products already on order provided that such alterations can be made without sub sequential changes being necessary in specifications already agreed. All AqSep trademarks in this material are property of AqSep. AqSep and the AqSep logotype are trademarks of AqSep A/S. All rights reserved.