

Data sheet WM22000E-340

22000 lpd (5812 gpd)

With energy recovery system



AUTOMATED FEATURES:

- User friendly interface with single button operation
- Automatically adjusts to changes in feed water temp. and salinity
- Output for start stop of feed pump
- Input for start-stop on tank level switch
- Automatic fresh water flush system (start/stop, 4 hours/24 hours)
- Shut down at high/low membrane pressure, low/high feed water pressure, high salinity product water
- Integrated timer for setting quiet intervals

METERS/MONITORS:

- Custom made controller enables close monitoring
- Coloured icons giving continuous overview
- Single button gives access to lot of data:
 - Product water TDS
 - Product water flow measurement
 - Hour counter
 - Approx. cumulative production
 - Feed/flush water pressure
 - Membrane pressure

PARTS AND MATERIALS:

- Danfoss APPM2 with integrated energy recovery in duplex and super duplex steel
- Saltwater wetted steel parts in duplex or super duplex steel
- Overvoltage protection
- Frame in high quality PEHD polymer

OPTIONS:

- GSM based monitoring, control and alarm messaging
- Variable speed drive for 60 Hz operation

Data sheet WM22000E-340

Hydraulic Data	
Nominal water production l/day (gallon/day)	22000 (5812)
Nominal membrane pressure bar (psi)	56.5 (819)
Total dissolved solids, fresh water (TDS) mg/l	<550
Stabilized salt rejection %	99.4
Membrane pressure range bar (psi)	20-69 (290-1001)
Membrane pressure control	Automatic
Total dissolved solids range, feed water (TDS) ² mg/l	1500 – 45000
Minimum inlet flow (feed & flush) m ³ /h (gallon/h)	2.72 (719)
Minimum flush water volume (3 x flush) l (gallon)	80 (21.2)
Minimum inlet pressure (feed & flush) bar (psi)	0.5 (7.3)
Maximum inlet pressure (feed & flush) bar (psi)	5 (73)
Maximum back pressure on fresh water bar (psi)	1.0 (14.5)
Nominal pump input power ¹ kW	2.0
Specific pump energy ¹ kWh/m ³ (kWh/1000 gallon)	2.2 (8.3)

Electrical Data	
Motor size kW (hp)	3 (4.0)
Maximum consumed power kW	3.4
Motor voltage ⁴ V	3 ph: 400 / 208 & 480
Motor speed rpm	2900
Feed pump control	Relay output
Water level signal	Relay input
Electrical ingress protection	IP 54

Dimensions	
Watermaker (LxWxH) mm (inch)	1192x563x730 (47x22x29)
Control box (LxWxH) mm (inch)	400x300x210 (16x12x8)
Water inlet/outlet (OD) mm (inch)	22 (0.9)
Weight kg (lb)	163 (359)

Operating limits	
Feed water temperature ² °C (°F)	0.5 – 45 (32.9 – 113)
Ambient temperature °C (°F)	0.5 – 50 (32.9 – 122)

Components	
Membrane type	DOW/AqSep seawater
Membrane quantity	8
Membrane size Inches	3x40
High pressure pump & recovery unit	APPM2 - Duplex steel
Lubrication, coolants etc.	Not required
Frame	Plastic, 316 steel
Saltwater exposed parts	Duplex/316 steel, plastic
Fresh water parts	316 steel, brass, plastic
Controller	Custom made with display (GSM interface and Variable Speed Drive as options)

Part Number ³	
WM22000E-340 3x208 V, 50 Hz, 2900 rpm	182B0053
WM22000E-340 3x400 V, 50 Hz, 2900 rpm	182B0054

Rated performance may vary ±15%, Nominal conditions: 25 °C seawater at 32.000 mg/l TDS

¹ Based on simulation in ROSA design software from Dow Water & Process Solutions

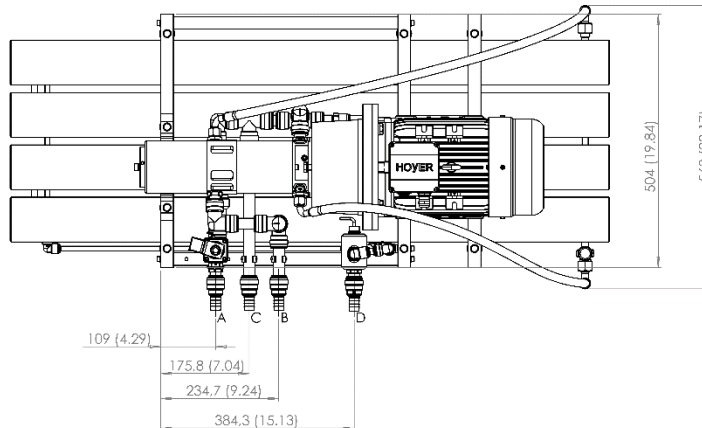
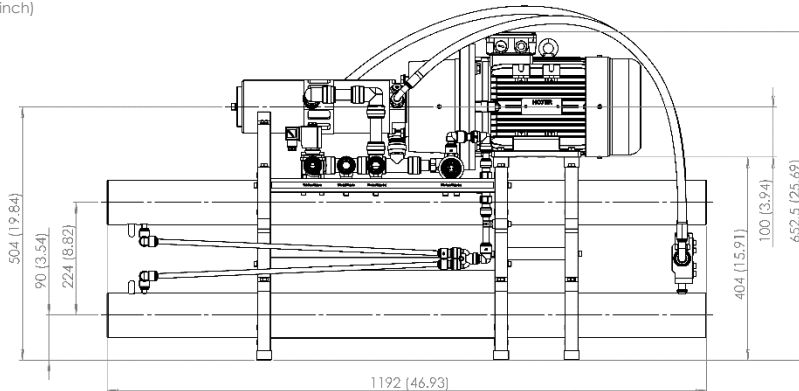
² Water production may need to be adjusted to match the specific combination of temperature and total dissolved solids in the feed water (TDS)

³ Contact AqSep for alternative motor voltages/frequencies

⁴ A variable speed drive is required for operation in 60 Hz grid

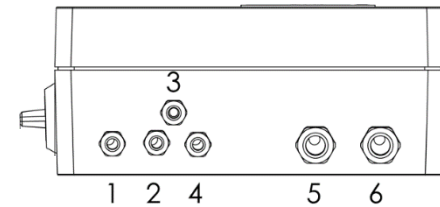
Data sheet WM22000E-340

mm (inch)

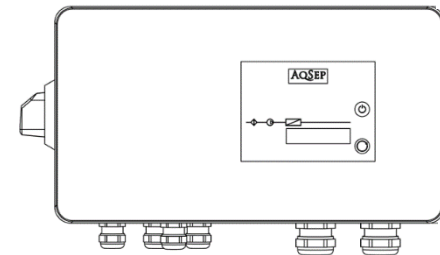


A	Flush water IN
B	Seawater OUT
C	Seawater IN
D	Fresh water OUT

Control Box



1	Power Connection
2	Electrical motor
3	Solenoid valve
4	Cable tree – sensors
5	Feed pump signal – XS1
6	Level switch signal – XS2



The control box is connected to the sensors on the hydraulic unit via a cable tree of 3 m (9.9 ft.). Separate cables connects the electrical motor and valve.

Mating electrical connectors for start & stop of well pump/isolating valve as well as level switch signal are located inside the control box.

The optional GSM modem is also fitted to the control box.

AqSep A/S

c/o Danfoss • Nordborgvej 81, E14-N14 • 6430 Nordborg • Denmark
Phone: +45 7488 4100 • E-mail: anders@aqsep.com • www.aqsep.com

AqSep can accept no responsibility for possible errors in catalogues, brochures and other printed material. AqSep reserves the right to alter its products without notice. This also applies to products already on order provided that such alterations can be made without sub sequential changes being necessary in specifications already agreed. All AqSep trademarks in this material are property of AqSep. AqSep and the AqSep logotype are trademarks of AqSep A/S. All rights reserved.